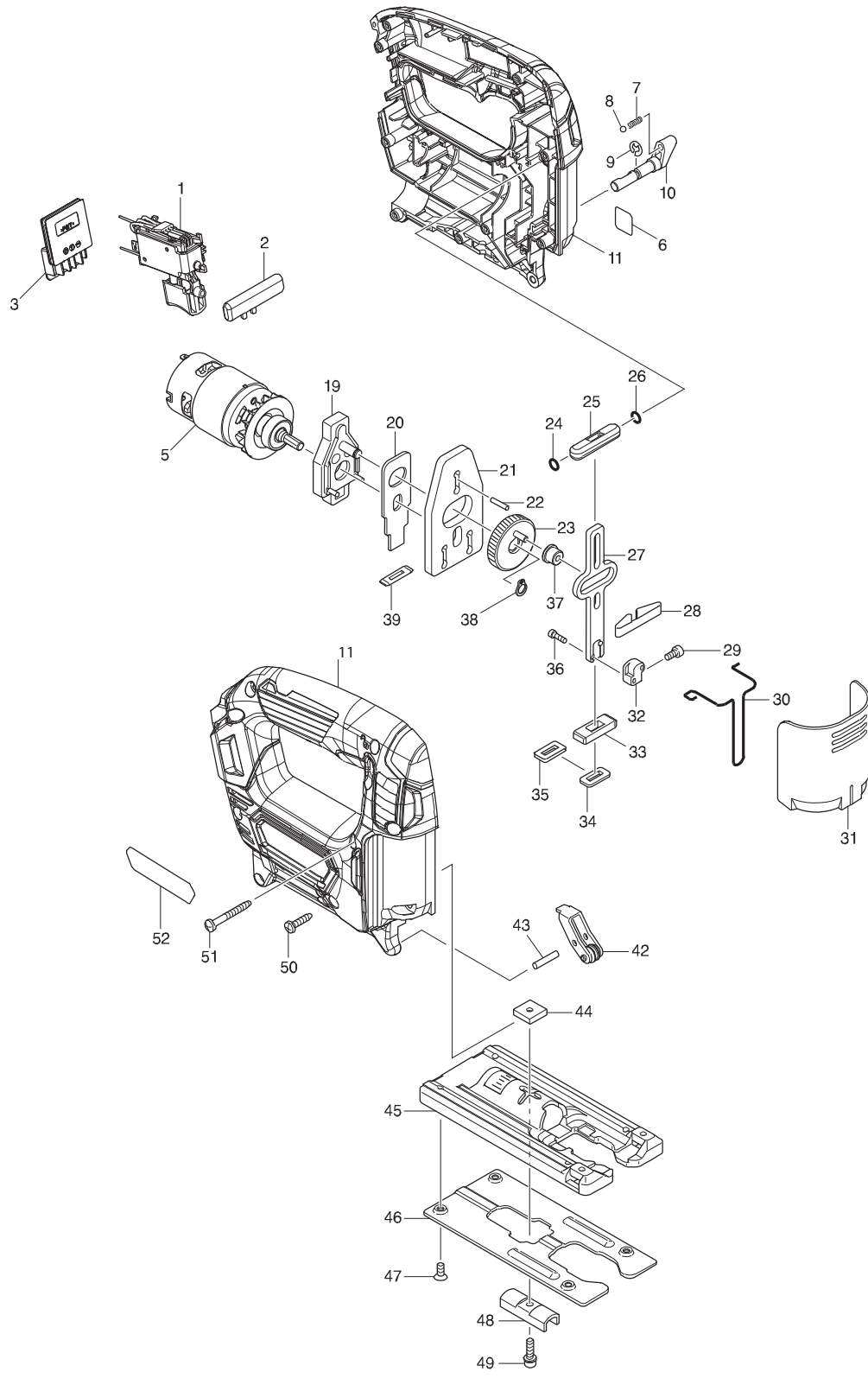




02 - 2016
JV101DSYE / JV101DZ
12V MAX Jig Saw



PARTS LIST

Item No	Type	Part No	Description	Qty	Unit
001		632G54-7	SWITCH UNIT	1	PC.
002		454742-2	LOCK OFF BUTTON	1	PC.
003		644813-5	TERMINAL	1	PC.
005		629211-4	DC MOTOR	1	PC.
007		233151-6	COMPRESSION SPRING 4	1	PC.
008		216008-6	STEEL BALL 4	1	PC.
009		961011-9	STOP RING E-4	1	PC.
010		272267-2	LEVER 19	1	PC.
011		183E12-9	HOUSING SET	1	SET
011	INC.	263002-9	RUBBER PIN 4	2	PC.
011	INC.	808V30-5	CAUTION LABEL	1	PC.
019		152600-3	BEARING CASE COMPLETE	1	PC.
020		344683-9	PUSH PLATE	1	PC.
021		344614-8	BALANCE PLATE	1	PC.
022		256254-9	PIN 3	1	PC.
023		153260-4	GEAR COMPLETE	1	PC.
024		213038-8	O RING 5	1	PC.
025		313082-6	SLIDER GUIDE	1	PC.
027		344613-0	SLIDER	1	PC.
028		232183-0	LEAF SPRING	1	PC.
029		213038-8	O RING 5	1	PC.
029		922107-1	HEX. SOCKET HEAD BOLT M4X8	1	PC.
030		323748-0	SAFETY WIRE	1	PC.
031		416476-5	DUST COVER	1	PC.
032		313140-8	BLADE CLAMP	1	PC.
033		313086-8	SLIDER SUPPORT	1	PC.
034		423307-1	POLY URETANE SPONGE SEAL	1	PC.
035		344686-3	SEAL PLATE	1	PC.
036		266177-3	HEX. SOCKET HEAD BOLT M3X10	2	PC.
037		257683-9	COLLAR SLEEVE	1	PC.
038		961002-0	RETAINING RING S-6	1	PC.
039		416703-0	DUST SEAL	1	PC.
042		158392-2	RETAINER COMPLETE	1	PC.
043		256117-9	PIN 4	1	PC.
044		343540-8	HOLDER	1	PC.
045		317796-9	BASE	1	PC.
046		345441-6	BASE PLATE	1	PC.
047		912107-9	COUNTERSUNK HEAD SCREW M4X8	4	PC.

Item No	Type	Part No	Description	Qty	Unit
048		344685-5	CLAMP PLATE	1	PC.
049		922128-3	HEX. SOCKET HEAD BOLT M4X16	1	PC.
050		266326-2	TAPPING SCREW 4X18	9	PC.
051		266351-3	TAPPING SCREW 4X35	1	PC.
052		852E09-6	NAME PLATE F/JV101D	1	PC.
A01	1	792529-7	JIG SAW BLADE B-10, 5PC/SET	1	SET
A01	2	E-10687	JIG SAW BLADE 3PC KIT	1	KIT
A02		783201-2	HEX. WRENCH 3	1	PC.
A03		192732-4	GUIDE RULE SET	1	PC.
A03	INC.	271601-3	KNOB 20	1	PC.
A03	INC.	922107-1	HEX. SOCKET HEAD BOLT M4X8	1	PC.
A03	INC.	323802-0	GUIDE PIN	1	PC.
A04		DC10SB	RAPID CHARGER DC10SB	1	PC.
A05		----	12V MAX LI-ION BATTERY, SLIDE TYPE	2	PC.
A06		456128-6	BATTERY COVER F/ 12V LI-ION SLIDE TYPE	1	PC.
A07		197210-9	INTERLOCKING TOOL CASE S	1	PC.
A07	INC.	453974-8	LOCKING LATCH	4	PC.
A08		192279-8	HOSE COMPLETE 28-3.0	1	PC.
A09		415524-7	ANTI-SPLINTERING DEVICE	1	PC.
A10		417852-6	COVER PLATE	1	PC.
A11		B-44410	JIG SAW BLADE 10PC/KIT	1	PC.
A12		T-02571	FORM INSERT F/INTERLOCKING CASE	1	PC.